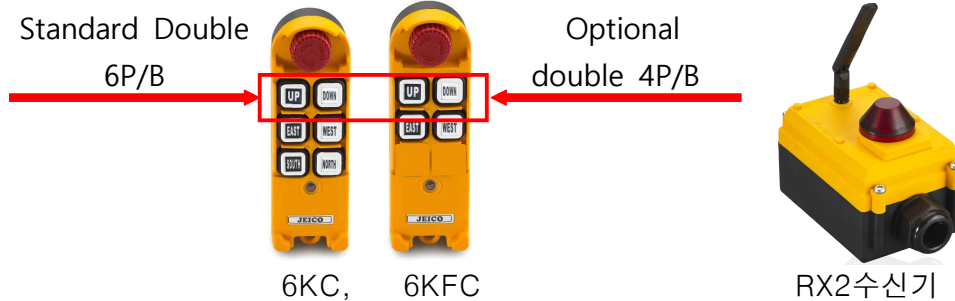
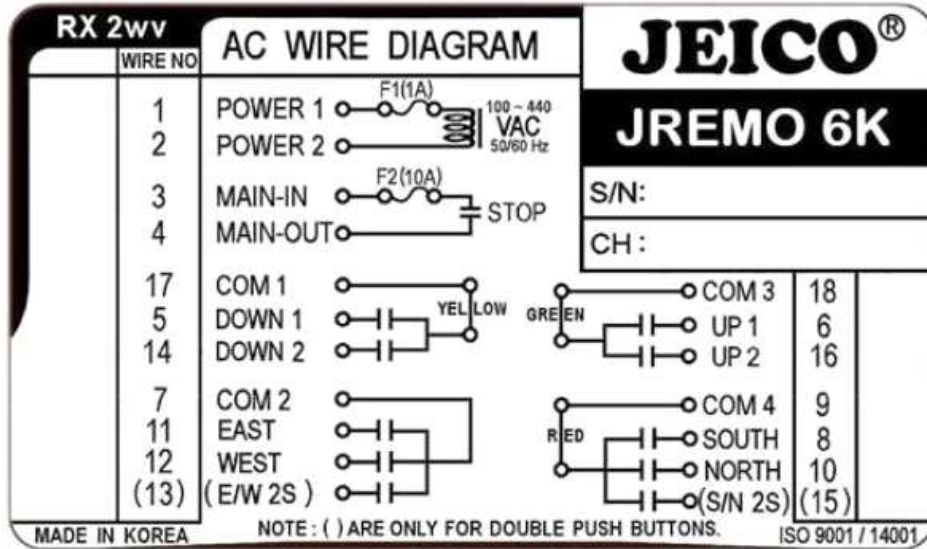


Setting Device :		Remote model :	<b>JREMO 6K</b>
Setting Place :		Supplier :	

### CRANE & HOIST Creep 6P/B

16 Core Cable



- Tx & Rx Size
  - TX : 148 x 48 x 45 mm, Approx. 185 Gr.
  - RX2 : 90 x 152 x 105 mm, Approx. 950 Gr.(Cable & Setting plate Incl.)
  - IP level : IP55(TX), IP66(RX)      - Locking system : Y
- Stanby (Standard) : EMS UP ⇔ P/B Main ON & Start.  
(Option) : EMS UP ⇔ North P/B Main ON.
- Cable SEPC. : 0.75 SQ, 600VAC, 약1.7M, 16 CORE number cable.  
Optional Single 4P/B ( number 8, 10 cable is not available.)
- RELAY SPEC. : "A" CONTACT, 250VAC/5A, 125VAC /10A
- FUSE (20MM Glass Fuse) 1A(F1),10A(F2)
- POWER : AC 100 ~ 440V 50/60Hz Free Volts (Options: AC48V)  
DC 12 ~ 40V ( JREMO 6K M model)
- Standard Rx Setting : Auto off after 1 hour non-use.