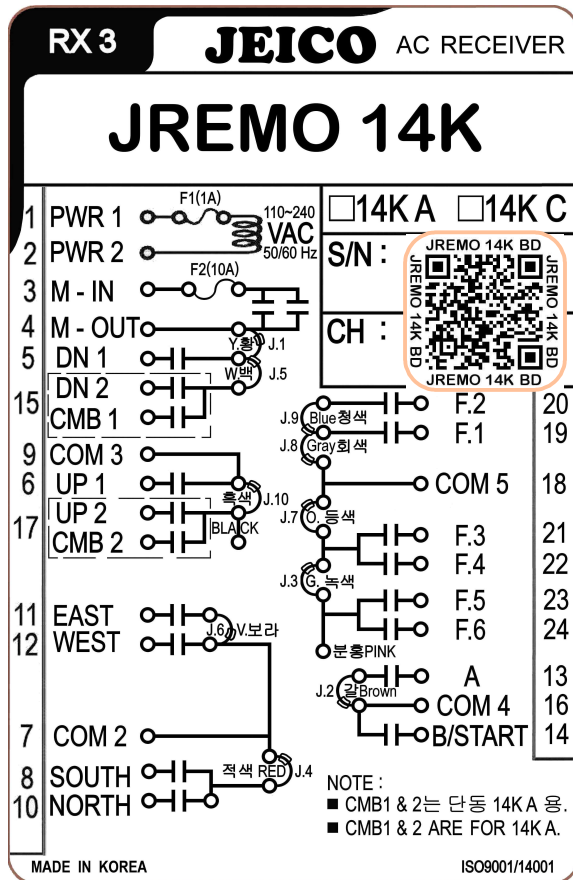


Setting Device :		Remote model :	<b>JREMO 14K</b>
Setting Place :		Supplier :	

### Crane & Hoist Single & Creep 14 P/B

#### 24 Core Cable



2 Double : 14KC



RX3 Receiver

- Tx & Rx Size
  - TX : 233 x 62 x 46 mm, approx. 450 Gr.
  - RX3: 90 x 215 x 105 mm, approx. 1,350 Gr.(Cable & Setting plate Incl.)
  - IP level : IP55(TX), IP65(RX)
- Stanby (Standard) : EMS UP ⇔ KEY ON Stanby  
 (Option) : EMS UP ⇔ KEY ON ⇔ (P/W or P/B) Stanby
- Cable SPEC. : 0.75 SQ, 600VAC, 1.7M, Single(A,M) 24 / Double(B,C,D) 32 CORE Cable
- RELAY SPEC. : "A"CONTACT, 250VAC/5A, 125VAC /10A
- FUSE (20MM Glass fuse) 1A(F1), 10A(F2)
- POWER : - AC 100 ~ 240V 50/60Hz Free Volts (Option : AC48V,380V,440V)  
 \*RX3 receiver : Single(14KA) and Creep(14KC)
- Standard Rx Setting : Auto off after 1 hour non-use.