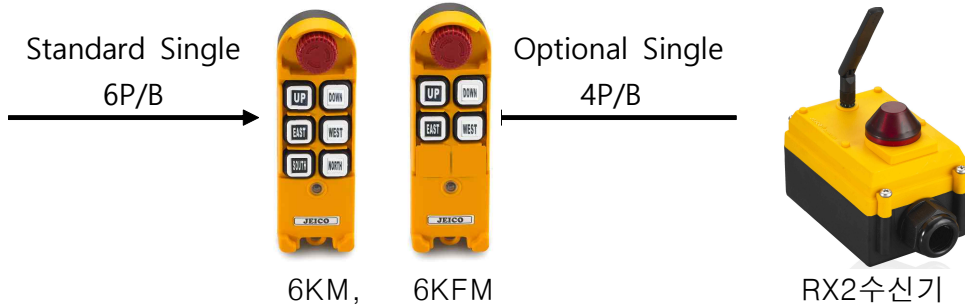
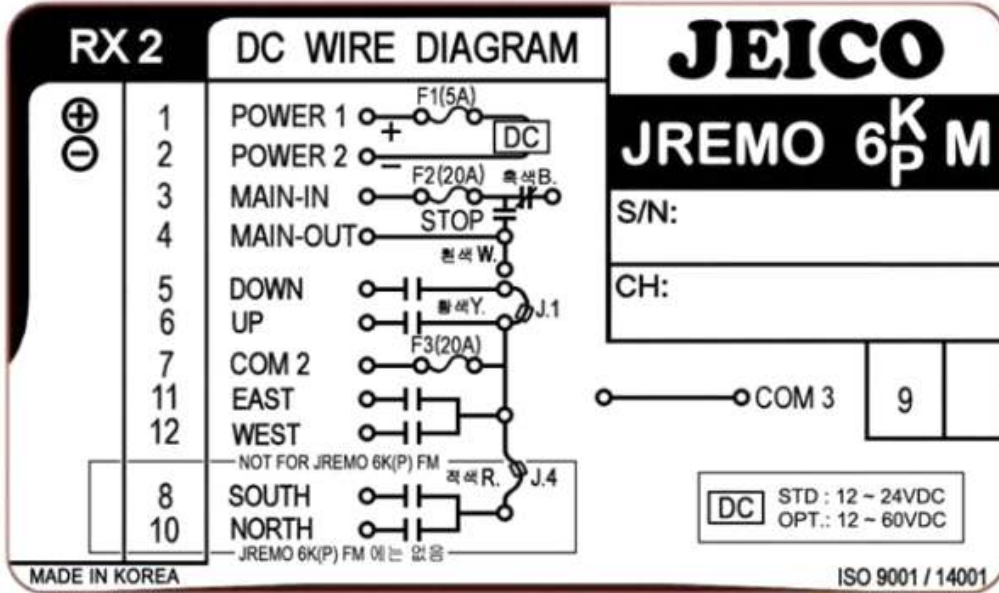


Setting Device :		Remote model :	JREMO 6K
Setting Place :		Supplier :	

Special Device for Single (DC) 6P/B

12 Core Cable



- Tx & Rx Size
 - TX : 148 x 48 x 45 mm, Approx. 185 Gr.
 - RX2 : 90 x 152 x 105 mm, Approx. 950 Gr.(Cable & Setting plate Incl.)
 - IP level : IP55(TX), IP66(RX) - Locking system : Y
- Stanby (Standard) : EMS UP ⇔ P/B Main ON & Start.
(Option) : EMS UP ⇔ North P/B Main ON.
- Cable SEPC. : 0.75 SQ, 600VAC, 약1.7M, 12 CORE number cable.
Optional Single 4P/B (number 8, 10 cable is not available.)
- RELAY SPEC. : "A" CONTACT, 250VAC/5A, 125VAC /10A
- FUSE (20MM Glass Fuse) 1A(F1),10A(F2)
- POWER : DC 12 ~ 40V (Option : DC48V)
- Standard Rx Setting : Auto off after 1 hour non-use.