

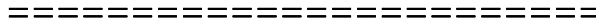


**JREMO** T.M.  
**JEICO PRODUCTS**  
**JREMO 8K/10K/14K**  
**MANUAL**

**Rev. 1**

**JEICO<sup>®</sup>.COM**

# WARRANTY



**JREMO®** SERIES Remote Controllers must be handled, installed, operated, and maintained by (an) authorized and (a) qualified person(s), and

Upon the above condition guaranty period from the date of (delivery, installation, inspection) shall be one calendar year,

Subject to confirming defects not caused by improper installation, improper operation and/or insufficient maintenance, unauthorized modification, ignorance of environmental specifications, or improper interfacing, irresistible forces such as war(s), strike(s), Act(s) of God, and so on; all such the defects shall be treated as in no warranty.

<b>JEICO®</b> INDUSTRIAL REMOTE CONTROLLER						
MODEL NAME	JREMO 8K	10K	14K	JREMO 8K	10K	14K
SERIAL NO.						
CHANNEL NO.						
LOT. NO.						

## PRECAUTIONS

### A. ANNOUNCEMENT

- ◎ This O&M Manual is both for **JREMO®** 8K, 10K, 14K and for 8EX, 10EX, and the specification in each model is referred to Chapter 1.
- ◎ Before installation and operation look through this manual and make sure having a full acknowledgement of this manual.
- ◎ **JREMO®** series' remote controllers compose a High-Tech systemized, and a full knowledge of this manual is a must in advance of installation as well as operation of this remote controllers.
- ◎ Do not try to dismantle or unscrew **JREMO®** series except a skilful, an expert, and an authorized.
- ◎ This manual is for reference and good for installation and for maintenance. For more details consult an adjacent agent and/or supplier.
- ◎ Each and all the **JREMO®** series' remote controller is tested under severe condition and passed without any default found at factory and is ready for an immediate use for a normal/insufficient condition or so, however, in an emergency and/or in an any dangerous possibility, do not use.
- ◎ After use switch off the main power of the equipment(ex. crane) and confirm the receiver power off, and then turn off the rotary key of the transmitter before pull out the key, and store the key in an isolated area.
- ◎ When not in use stay the transmitter in a safety area and do not allow an unauthorized to attempt to use it.
- ◎ Equipment(ex. crane) using this remote controller must have main relays, limit switches, separate COM lines, and other appropriate devices for safety operation.
- ◎ When metal container for receiver casing is used make sure Ground(GND) to be sure connected to metal part of equipment(ex. crane).
- ◎ Do not use in a severe interfered area and/or lightening or so.
- ◎ Make sure power sources are correct.
- ◎ Power off and do not use during installation and/or maintenance so as to avoid any electric shock or so.
- ◎ Do not try to copy, modify, or release this remote controllers without

permission in advance by Remohand, such an action is illegal. **JREMO**<sup>®</sup> series' remote controller have many international patents, certificates, and so on.

© Without notice in advance and within Remohand's discretion this manual may be revised, added, and/or deleted for better use.

## B. GENERAL CAUTIONS

- ☆ Operator must be healthy both physically and mentally.
- ☆ Even though this remote controller is versatile, durable, and good for outdoor use try to avoid an excessive shock, pressure, wind, snow, rain, ices, or sunlight, high temperature, humid, gas, and etc.
- ☆ During operation when found power is weak replace all the batteries with all new 4 AA batteries.
- ☆ When rechargeable batteries (however, it is not recommended because of shorter life) are used, use of AA 1.2V Ni-MH 2,500 mAH or above.
- ☆ When not in use take out batteries from the transmitter and put aside in a different area.
- ☆ In an emergency follow up the below emergency measures.

## C. EMERGENCY MEASURES

**JREMO**<sup>®</sup> series has designed for safety, meeting with various kind of emergencies and for self-recovering. Billions of different I.D. code, Self-Diagnoses, super qualified and isolated protection against voltage surges and/or interferes, etc. are the basic integral functions for solving any unexpected accident or trouble in an emergency. So when such an emergent function is detected, F25 series will off the work immediately and stop all the function automatically.

For emergency follow up the below procedure in advance and then call an adjacent **JEICO**<sup>®</sup> agent and/or supplier for an emergency service.

1. Press EMS(Emergency Stop) Button. (red mushroom at top left)
2. Off the rotary key and pull out the key. (green key at top right)
3. Power off receiver power. Power off main power of Equipment.
4. Inquire adjacent **JEICO**<sup>®</sup> agent and or supplier.

# CHAPTER I : GENERAL SPECIFICATIONS

## 1.1. COMMON SPECIFICATION

- Frequency Ranges & Channel Numbers
  - 433 Bands : 433.050~434.7750 Mhz, 70 channels
  - 447 Bands : 447.600~447.9875 Mhz, 32 channels
  - 173 Bands : 173.025~173.7875 Mhz, 35 channels
- I.D. Code :  $2^{32}$  (Over 4 Billion)
- Temperature : -10 °C ~ +60 °C
- Remote Distance : 30 ~ 150 M.
- Case Construction : Glass-Fiber
- Protection Grade : (Tx) IP55 / (Rx) IP66

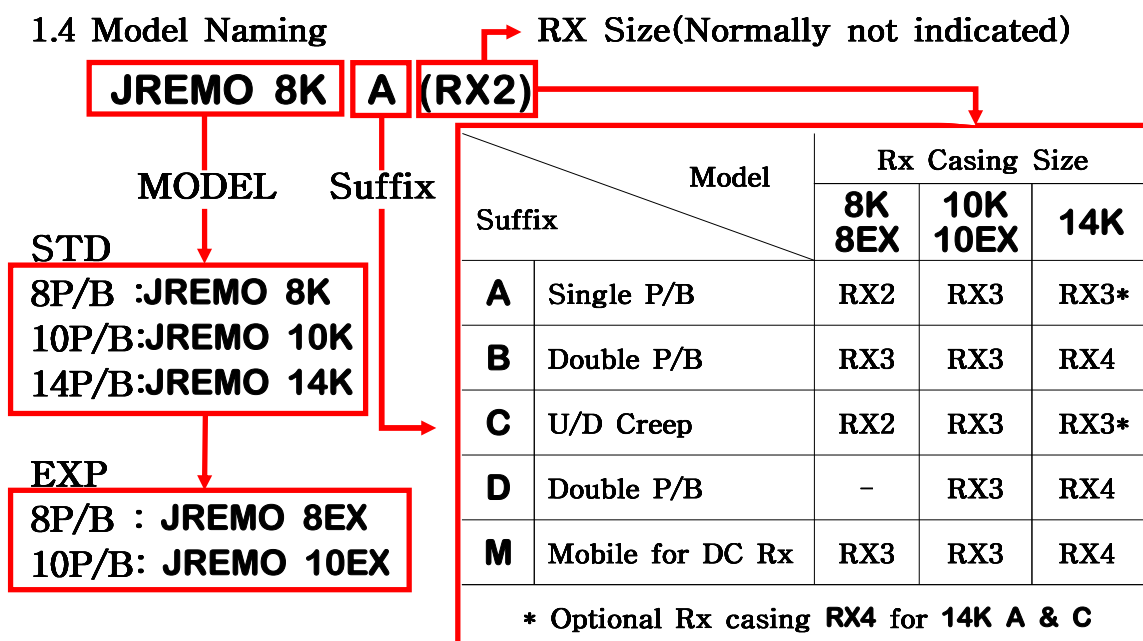
## 1.2 Transmitter(Tx) JEMO 8K(8EX)/10K(10EX)/14K

- Batt. Power: 4 x 1.5 V Alkaline Batteries ( LR6 AA Size)
- Type : Single or Double Push Button Type
- Size : 173/193/233 x 62 x 46 mm (L x W x H)
- Weight : Approx. 355/395/450 gr. (Batteries Incl.)

## 1.3 Receiver(Rx)

- Casing : **RX2/RX3/RX4**
- Power : AC100~240V, DC12~40V(OPT.~60V)
- Type : Remote Main Lamp Indication
- Relay : AC =>"A" Contact, 250VAC/5A, 125VAC/10A  
DC =>"A" Contact, 24VDC/15A, 120VAC/15A
- Size, mm : **RX2/RX3** : 90x152/215x105, **RX4** : 107x200x165
- Weight, gr. : **Rx2/RX3/RX4** : 950/1350/1220  
(Cable Incl. except **RX4**)

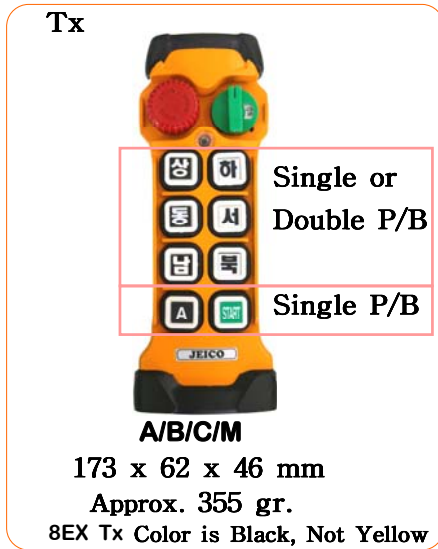
## 1.4 Model Naming



## CHAPTER II JREMO 8K, 8EX Standard Set

JREMO 8K, 8EX Standard Set comprises one transmitter and one receiver as following as a set

### 2-1 STANDARD SET

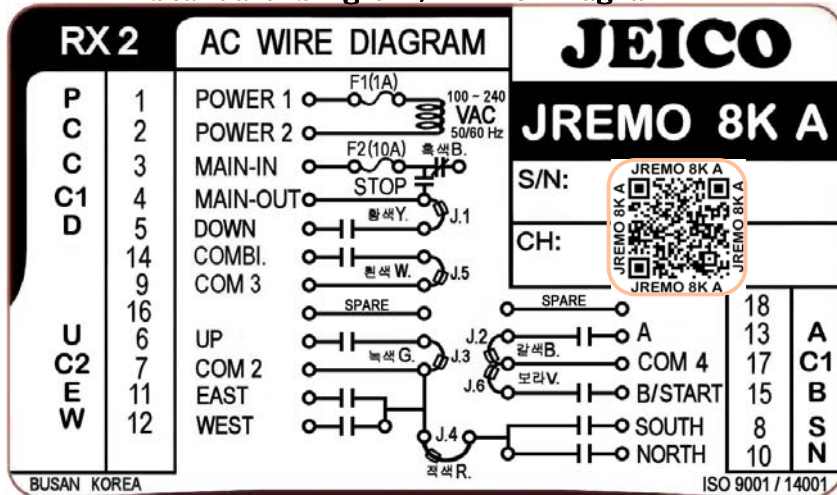


FUNCTIONS	MODEL NAME	RECEIVER
Single P/B	: JREMO 8K A ==>	RX2 (18 Core Cable)
U/D Creep P/B	: JREMO 8K C ==>	RX2 (18 Core Cable)
Double P/B	: JREMO 8K B ==>	RX3 (24 Core Cable)
Single P/B for D.C.	: JREMO 8K M ==>	RX3 (16 Core Cable)

## 2-2 CONTROL CONTACT WIRE DIAGRAM

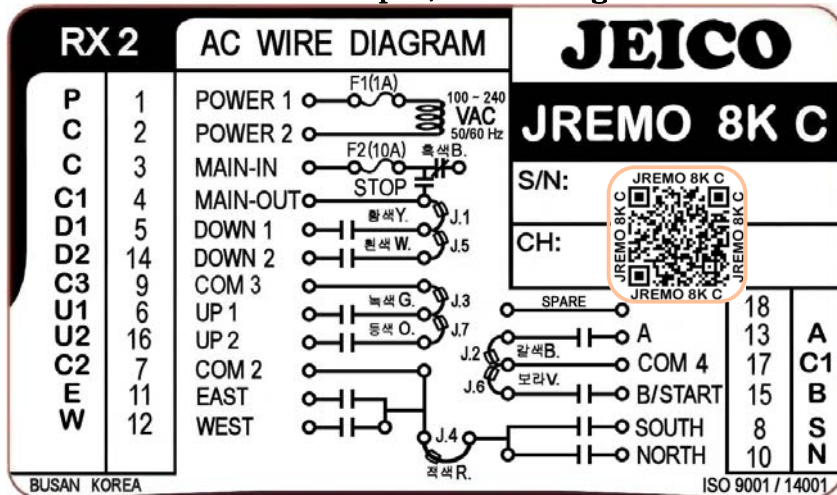
### ■ JREMO 8K A

Standard Single P/B AC Diagram



### ■ JREMO 8K C

Double Creep P/B AC Diagram



■ RECEIVER : RX2

SIZE : 90 x 152 x 105 mm, approx. 950 gr.

■ CABLE SPEC. : 0.75 Sq, 600VAC, 18 Core,  
approx. 1.7 m long, numbered

■ RELAY SPEC. : 250VAC/5A, 125VAC/10A  
“A” Contact

■ INPUT POWER: AC 100~240V 60/60Hz

■ FUSE SPEC. : 1A(F1) / 10A(F2), 20MM Column Fuse

■ COMBINATION: Only for suffix A as an optional function.







## CHAPTER 4 JREMO 10K, 10EX Standard Set

JREMO 10K, 10EX Standard Set comprises one transmitter and one receiver as following as a set

### 4-1 STANDARD SET



FUNCTIONS	MODEL NAME	RECEIVER
Single P/B	: JREMO 10K A	==> RX3 (24 Core Cable)
U/D Creep P/B	: JREMO 10K C	==> RX3 (24 Core Cable)
6 Double P/B	: JREMO 10K B	==> RX3 (24 Core Cable)
8 Double P/B	: JREMO 10K D	==> RX3 (24 Core Cable)
Single P/B for DC	: JREMO 10K M	==> RX3 (16 Core Cable)

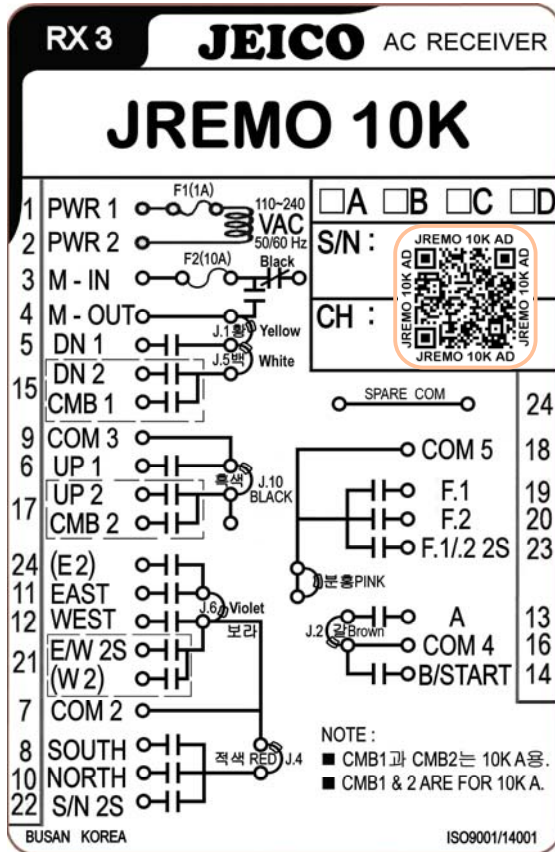
→ JREMO 10EX for Explosion Proof Type  
with RX3 (24 Core Cable).

Note : RX casing for JREMO 10EX may not be used in case  
internal parts of RX to be placed in an Exp. Proof Box.

## 4-2 CONTROL CONTACT WIRE DIAGRAM

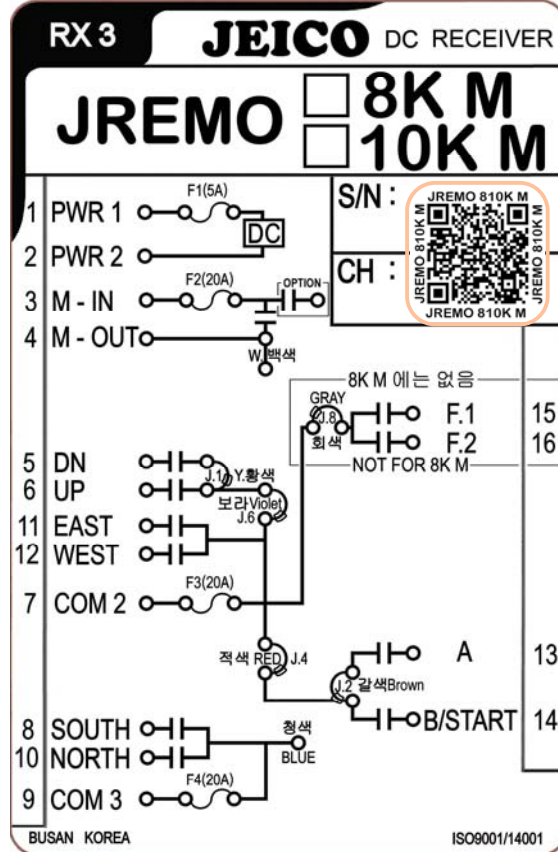
### ■ JREMO 10K(10EX) A/B/C/D

Single & Double P/B AC Diagram



### ■ JREMO 10K M

Single P/B DC Diagram



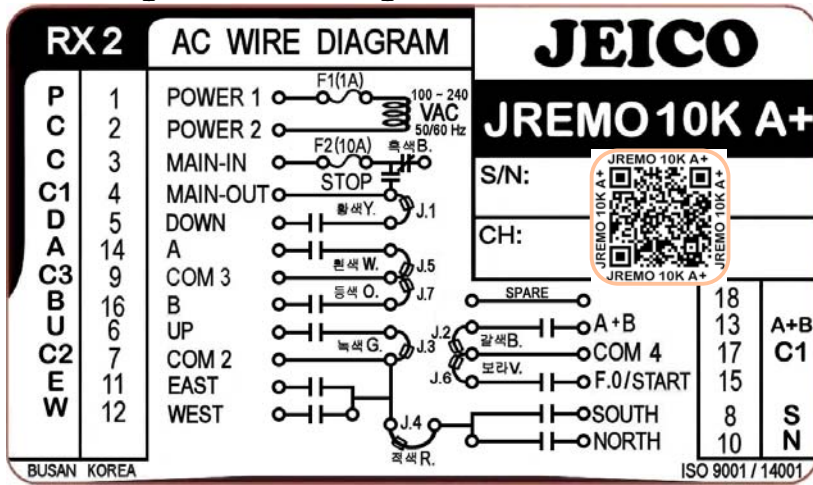
	JREMO 10K(10EX) A~D	JREMO 10K M
■ RECEIVER	RX3, 90 x 215 x 105 mm, approx. 1,350 gr.	
■ CABLE	24Core Cable	16Core Cable
	0.75 Sq, 600VAC, approx. 1.7m long, numbered	
■ RELAY	250VAC/5A	24VDC/15A
	125VAC/10A	120VAC/15A
■ FUSE	F1(1A) / F2(10A)	F1(5A) / F2,F3,F4(20A)
	20MM Column Fuse	
■ INPUT POWER	AC 100~240V 60/60Hz	DC 12~40V (opt. ~60V)

Notel : Combination(CMB 1 & CMB 2) functions are only for single p/b type models **JREMO 10K A** & **JREMO 10EX A**.

Note2 : Refer to page 11 for Single and/or Double Buttons arrangements.

■ **JREMO 10K A+ ( a special JREMO 10K suffix model)**

Single P/B AC Diagram for A+B Function



■ **RECEIVER : RX2**

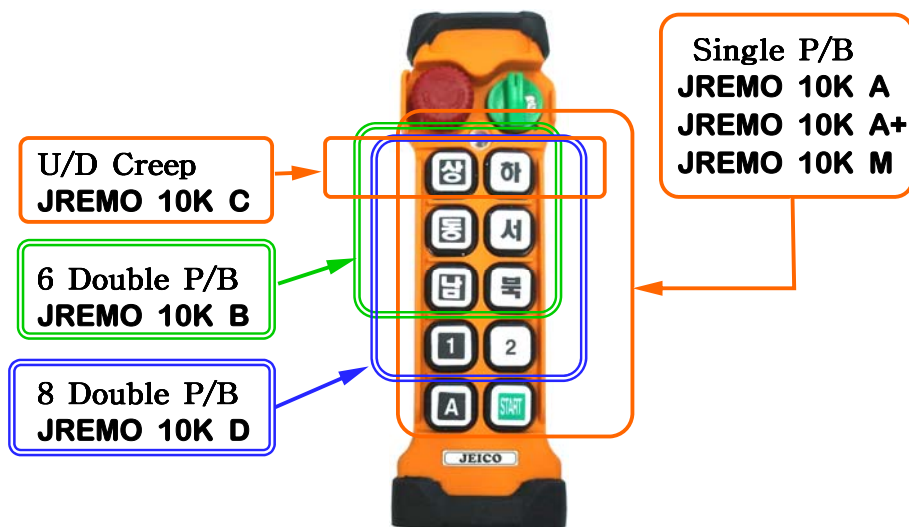
SIZE : 90 x 152 x 105 mm, approx. 950 gr.

■ **CABLE SPEC. : 0.75 Sq, 600VAC, 18 Core,**  
approx. 1.7 m long, numbered

■ **RELAY SPEC. : 250VAC/5A, 125VAC/10A**  
“A” Contact

■ **INPUT POWER: AC 100~240V 50/60Hz**

■ **FUSE SPEC. : 1A(F1) / 10A(F2), 20MM Column Fuse**



## CHAPTER 5 JREMO 14K Standard Set

JREMO 14K Standard Set comprises one transmitter and one receiver as following as a set

### 5-1 STANDARD SET



STANDARD SET	MODEL NAME	RECEIVER
Single P/B	: JREMO 14K A	==> RX3 (24 Core Cable) opt. RX4 (32 Core Cable)
Creep P/B	: JREMO 14K C	==> RX3 (24 Core Cable) opt. RX4 (32 Core Cable)
4 Double Creep	: JREMO 14K CC*	==> RX4 (32 Core Cable)
6 Double P/B	: JREMO 14K B	==> RX4 (32 Core Cable)
8 Double P/B	: JREMO 14K BB*	==> RX4 (32 Core Cable)
12 Double P/B	: JREMO 14K D	==> RX4 (32 Core Cable)
Single P/B for DC	: JREMO 14K M	==> RX4 (32 Core Cable)

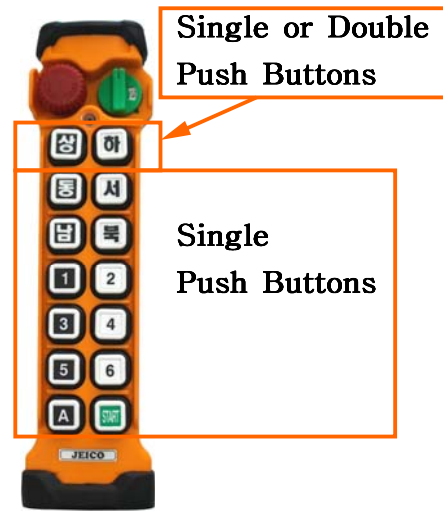
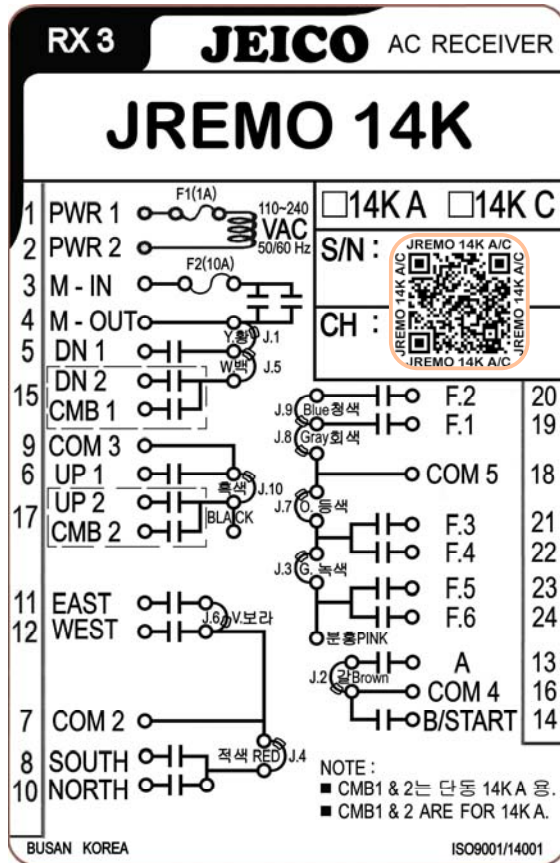
Note\* : Suffix "CC" and "BB" are only for factory production purpose and after production they will be released to be suffixed each "B" instead "CC" and "D" instead "BB".

For heavy duty or upon request JREMO 14K A&C can be released with RX4 casing receiver as an optional instead of with RX3 casing.

## 5-2 CONTROL CONTACT WIRE DIAGRAM

### ■ JREMO 14K A & C (with RX3 Casing Receiver)

Single & Creep P/B AC Diagram



■ RECEIVER : RX3

SIZE : 90 x 215 x 105 mm, approx.1,350 gr.

■ CABLE SPEC. : 0.75 Sq, 600VAC, 24 Core,  
approx. 1.7 m long, numbered

■ RELAY SEPC. : 250VAC/5A, 125VAC/10A  
“A” Contact

■ IN. POWER : AC 100~240V 50/60Hz

■ FUSE SPEC. : 1A(F1) / 10A(F2),  
20MM column fuse

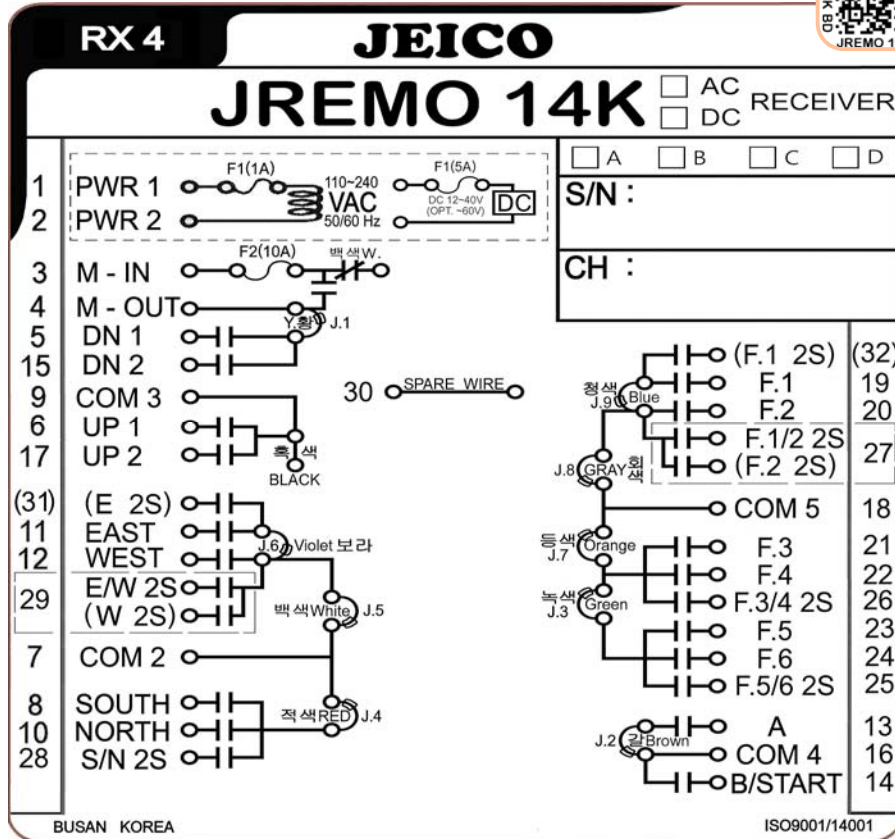


Note1 : Combination(CMB 1 & CMB 2) functions are only for single p/b type model **JREMO 14K A**.

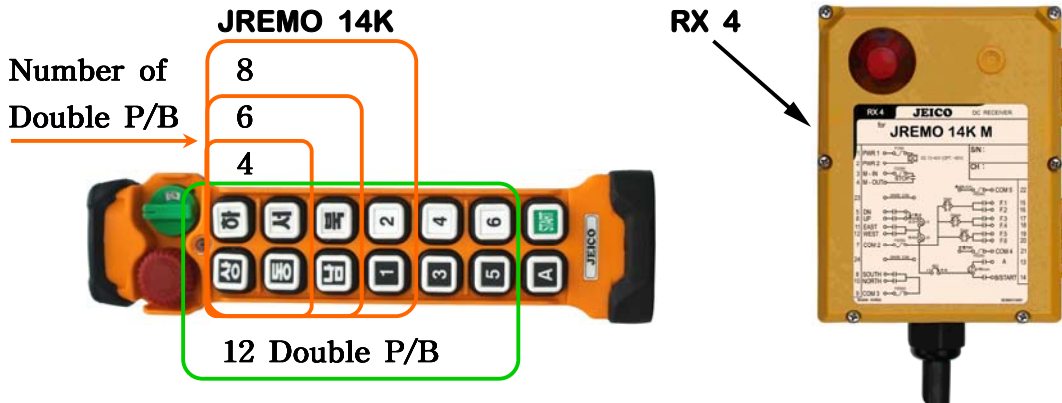
Note2 : For more than 4 double p/b use **RX4** receiver casing.

Note3 : **RX4** receiver for **JREMO 14K A&C** is option.

- JREMO 14K B & D (with RX4 Casing Receiver), and
- JREMO 14K M (with RX4 Casing Receiver) Diagram



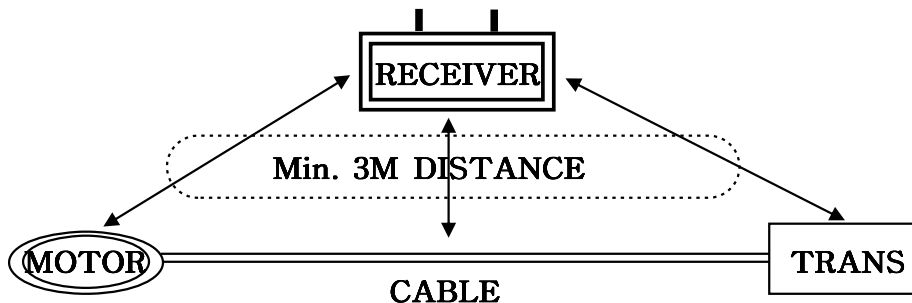
■ MODEL NAME	JREMO 14K B & D	JREMO 14K M
■ RECEIVER	RX4, 107 x 200 x 165 mm, approx. 1,220 gr.	
■ CABLE	32Core Number Cable	32Core Number Cable
	0.75 Sq, 600VAC, approx. 1.7m long	
■ RELAY	240VAC/7.5A 120VAC/15A	24VDC/15A 120VAC/15A
■ FUSE	F1(1A) / F2(10A) 20MM Column Fuse	
■ INPUT POWER	AC 100~240V 50/60Hz	DC 12~40V (opt. ~60V)



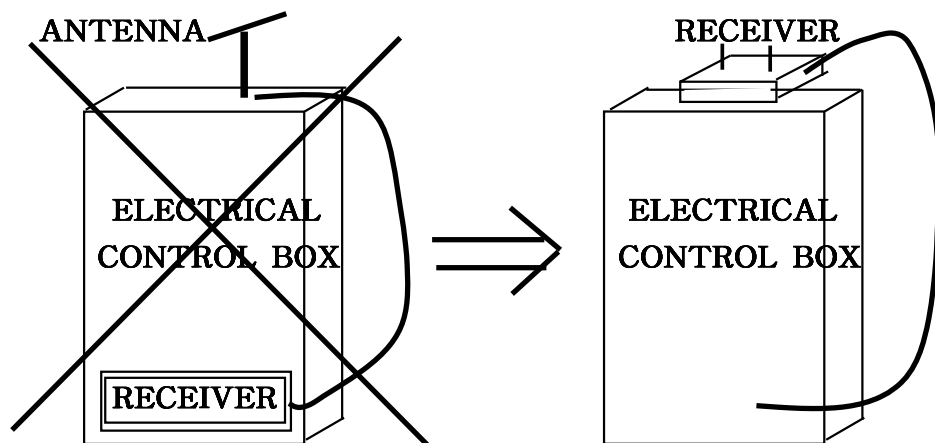
## CHAPTER 6 : INSTALLATION & FUNCTION SETTING

### 6-1 CAUTIONS FOR INSTALLATION

1. Follow up all the safety rule of equipment (ex. crane)
2. Switch off the main power of equipment (ex. crane) in a first action.
3. Install receiver where there will have any other obstructions.
4. Fix receiver firmly.
5. Use an optional external antenna in case receiver installs inside the metal closed box or electrical panel.
6. Check safety devices of equipment(ex. crane) before installation and confirm it is under utmost safety condition.
7. Do not try to install without gaining in skill for electrical circuit diagrams and operation circuits of equipment(ex. crane), remote controller's functions, etc for avoiding an unexpected accident, wrong functions, etc.
8. For avoiding any possible interferences install receiver far from motor and transducer as following illustration :



9. Install receiver top outside of electrical control box and installation in inside the control box is not a proper method.



## 6-2 HOW TO INSTALL JREMO® SERIES TX

### 6-2-1. BATTERIES

- A. Insert 4 AA batteries at right position with + and -.

An opposite position will cause an excessive heat to cause battery leakage, burning, and so on, any malfunction caused by such the poor batteries' handling will not be of free recovery no matter how long the guarantee period remained.

- B. Precautions

1 : Do not use low power type rechargeable batteries.

Recommend : Use 2500mAH or above.

2 : Use all new & fully charged batteries for replacement.

Any un-fully charged one(s) may cause the same to the above clause 5-2-1 A matters.

- B. Change of Batteries : When led signals with yellow it shows battery low. Replace them all immediately with new ones.

- C. When not in use turn the rotary switch to the left position OFF for saving battery life as well as off the battery power.

### 6-2-2. FUNCTION SETTING & COPYING

In case to change either Tx or Rx, or modify functions its mating transmitter and receiver must be identical and set both at the same time for sure identification. Function settings can be done either by the copier or by PC software, or from direct Rx-Rf at Rx to/from Tx. Either method is an optional.

- A. Function set by Copier

1. Unscrew Battery Cap at Tx and Open the top cover at Rx.  
(Please note when the Copier to use both Tx and Rx power should be shut down.)
2. Connect Copier either to Tx or Rx.
3. Follow the instruction of Copier Manual that will be provided as an optional order.



- B. Function set by Software

1. Software can be provided as an optional order and,
2. It needs another connector (i.e. Gender) with the software.



C. Direct Copying from Rx

1. Connect Tx and Rx by a connector cable (an optional provision).
2. Place the COPY-RUN s/w nob to COPY position, and Tx Led will blink with green light.
3. Paring (Copying) from Rx to Tx done.
4. Unplug the connector and place the s/w to RUN position.

3. Consult **JEICO** distributor and/or agent for further support.

## 6-3 HOW TO INSTALL **JREMO**<sup>®</sup> SERIES RX

### 6-3-1. PREPARATIONS

A. Prepare tools.

B. Select a proper place for installation.

1. Choose a safe area, a visible area of receiver or antenna.
2. Avoid a spark area (ex. motors, relays, magnet switches, electric cables are likely generating sparks and interferes)
3. Avoid high voltage and current area.
4. Receiver is to be distanced at least 3cm from obstacles.

C. Match receiver power

1. Check input power source and make sure to connect to the right position.

2. In case DC power, make sure receiver is also for DC.

3. AC Power

Use AC Receiver.

Standard AC power source is 100 ~ 240V Free Volts.

24V, 48V, 380V, 440V etc. are optional.

3. DC Power

Use DC Receiver.

Standard DC power source is DC12~40V Free Volts.

For 48VDC, 60VDC consult **JEICO** distributor and/or agent.

## 6-3-2. INSTALLATION SEQUENCE

- A. Power off equipment(ex. crane).
- B. To install receiver always try to use with the Fixing Plate when applicable.
- C. Connect each wire end of receiver cable to a mating connector of equipment(ex. crane).
  - 1. Confirm both circuit diagram of receiver and equipment(ex. crane) are in sequence and connected correctly.
  - 2. Confirm ground is o.k.
  - 3. Check and confirm power source.
  - 4. Make sure the selector switch positioned to pendent.
- D. Power on transmitter :
  - 1. Turn on the rotary s/w after released up the EMS button.
  - 2. Press Start Pushbutton of the transmitter and,
  - 3. Confirm if the receiver MAIN Lamp is on.
- E. Press each function button of transmitter and confirm remote operation in a good working condition by confirming led lights inside the relay board of receiver.
- F. Close upper case of receiver and set the selector switch to remote position.

## 6-4 HOW TO START & USE PASSWORD(PWD)

For the safety and secure operation **JREMO** series has adopted several types of start functions as following to achieve enhanced safety :

### ■ Main ON Function

Std : EMS UP ⇨ Rotary S/W ON ⇨ (PWD) ⇨ Any button, Main ON  
Opt.: EMS UP ⇨ Rotary S/W ON ⇨ (PWD) ⇨ Start P/B, Main ON

### ■ PWD setting

An optional setting method may be used by referring to a separate PWD setting manual which is not included for a standard provision.

## CHAPTER 7 : MAINTENANCE

### 7-1 STANDARD OPERATION

- A. Twist up the EMS button of Tx and do as START ON function procedure preset and find the Rx Main Lamp ON. During normal operation see if the Tx led shows Green light which is normal, and if the battery power of Tx goes weak then the Tx led light will turn to red and green color. In this case stop the operation before any abnormal functions such as delay responses, intermitting runs, no stops, etc during working with red and green led signalling.
- B. Push the EMS button when every normal operation finished and/or in any emergency situation may occur do the same immediately, and position the Rotary S/W to OFF after the EMS button pushed down.
- C. In case not in use for a long-term operation, take off all the batteries from tx for avoid of any contamination and/or unnecessary consumption of battery power.

### 7-2 FUSES

- A. A replaceable fuse is put inside the fuse column.
- B. For replacement of fuse, use a flathead screwdriver or by hand to push down head of the fuse cap by rotating 90°anticlockwise to open the cap.
- C. Replace with a new fuse and close the cap in opposite procedure.

## CHAPTER 8 : TROUBLESHOOTING

### 8-1 SELF DIAGNOSIS (LED SIGNAL ERROR MESSAGE)

**JEICO** remote controllers have a renewed method of self diagnostic troubleshooting against so much complicated and riddled electronic structures, and yet it is easy to check and find causes and measures for any malfunctions may occur. **JEICO** takes a type of Led signaling error message for better, quick restoration in normal even at site.

### 8-2 LED Diagnosis

	Causes	LED Signals	Measures
Transmitter (TX)	EMS Button not up	Red Light	Pull up EMS Button
	Rotary S/W not ON	Red Light	Set to ON position
	Push Button defect	Red Flash	Replace with new button(s)
	Encoder Module defect	No Signal	Replace with a new module
	Batteries Consumed	No Signal	Replace with new batteries
	Low Power	Red and Green Flashes	Replace with new batteries
Receiver (RX)	Decoder defect	Lamp Off	Replace with a new Rx/Rf
	Wrong Power Source	Lamp Off	Replace Fuses and/or Replace Relay Board Connect Right Power
	Main Relay defect	Lamp Off	Replace Main Relay
	Rx-Rf COPY position	Lamp Off	Set to RUN position
	Main Power Off	Lamp Off	Engage Main Power

### 8-3 Troubleshooting

Appearances	Causes	Measures
<b>Tx Led No Signal &amp; Not Working</b>	<ol style="list-style-type: none"> <li>1. Wrong Bat. Direction</li> <li>2. Battery Consumed</li> <li>3. Old Batteries</li> <li>4. Encoder Module defect</li> </ol>	<ol style="list-style-type: none"> <li>1. Place in right pole direction</li> <li>2. Replace with new batteries</li> <li>3. Replace with new batteries</li> <li>4. Replace with new module</li> </ol>
<b>Tx Led Red Light &amp; Not Working</b>	<ol style="list-style-type: none"> <li>1. EMS Button Not Up</li> <li>2. Roraty S/W Not ON</li> <li>3. Very Low Batteries</li> <li>4. Old Batteries</li> <li>5. Button Jam</li> </ol>	<ol style="list-style-type: none"> <li>1. Twist Up EMS Button</li> <li>2. Rotate Rotary S/W to ON</li> <li>3. Replace with new batteries</li> <li>4. Replace with new batteries</li> <li>5. Replace with new buttons</li> </ol>
<b>Tx Led Red &amp; Green Flashes &amp; Working</b>	<ol style="list-style-type: none"> <li>1. Low Battery Power</li> <li>2. Old Batteries</li> </ol>	<ol style="list-style-type: none"> <li>1. Replace with new batteries</li> <li>2. Replace with new batteries</li> </ol>
<b>Tx Led Green Flashes &amp; Not Working</b>	<ol style="list-style-type: none"> <li>1. Tx Antenna defect</li> <li>2. Rx/Rf Module defect</li> <li>3. Rx Antenna defect</li> <li>4. Wrong Rx Power</li> <li>5. Cable Short-circuit</li> <li>6. No Remote Positioned</li> <li>7. Frequency Interferes</li> </ol>	<ol style="list-style-type: none"> <li>1. Replace with new antenna</li> <li>2. Replace with new Rx/Rf</li> <li>3. Replace with new antenna</li> <li>4. Correct Rx power source</li> <li>5. Change with new Cable</li> <li>6. Set to Remote Position</li> <li>7. Set to other channel</li> </ol>
<b>Rx Lamp ON &amp; Not Working</b>	<ol style="list-style-type: none"> <li>1. Cable Short-circuit</li> <li>2. No Remote Positioned</li> <li>3. Frequency Interferes</li> <li>4. Relay defect</li> <li>6. Out of distance</li> </ol>	<ol style="list-style-type: none"> <li>1. Change with new Cable</li> <li>2. Set to Remote Position</li> <li>3. Set to other channel</li> <li>4. Replace relay with new one</li> <li>6. Be in a running area</li> </ol>
<b>Rx Lamp OFF &amp; Not Working</b>	<ol style="list-style-type: none"> <li>1. Tx Antenna defect</li> <li>2. Rx Antenna defect</li> <li>3. Rx/Rf Module defect</li> <li>4. Power Short-circuit</li> <li>5. Frequency Interferes</li> <li>6. Main Fuse Burned</li> <li>7. Main Relay defect</li> <li>8. Rx-Rx COPY position</li> </ol>	<ol style="list-style-type: none"> <li>1. Replace with new antenna</li> <li>2. Replace with new antenna</li> <li>3. Replace with new Rx/Rf</li> <li>4. Change with new Cable</li> <li>5. Set to other channel</li> <li>6. Replace fuse with new one</li> <li>7. Replace relay with new one</li> <li>8. Set to RUN position</li> </ol>

## APPENDIX I : 433 BAND FREQUENCY TABLE

TOTAL NUMBERS : 70 CHANNELS

Channel Spacing : 25 Kc

CH. NO.	MHz	CH. NO.	MHz
001	433.050	036	433.925
002	433.075	037	433.950
003	433.100	038	433.975
004	433.125	039	434.000
005	433.150	040	434.025
006	433.175	041	434.050
007	433.200	042	434.075
008	433.225	043	434.100
009	433.250	044	434.125
010	433.275	045	434.150
011	433.300	046	434.175
012	433.325	047	434.200
013	433.350	048	434.225
014	433.375	049	434.250
015	433.400	050	434.275
016	433.425	051	434.300
017	433.450	052	434.325
018	433.475	053	434.350
019	433.500	054	434.375
020	433.525	055	434.400
021	433.550	056	434.425
022	433.575	057	434.450
023	433.600	058	434.475
024	433.625	059	434.500
025	433.650	060	434.525
026	433.675	061	434.550
027	433.700	062	434.575
028	433.725	063	434.600
029	433.750	064	434.625
030	433.775	065	434.650
031	433.800	066	434.675
032	433.825	067	434.700
033	433.850	068	434.725
034	433.875	069	434.750
035	433.900	070	434.775

Calculation : Mhz = 433.050 + (N-1) x 0.025, 01 ≤ N ≤ 70

## APPENDIX II : 447 & 173 FREQUENCY TABLE

TOTATAL NUMBERS : 32 (447 Bands) / 35 (173 Bands) CHANNELS  
Channel Spacing : 12.5Kc

CH. NO.	MHz	CH. NO.	MHz
001	447.6000	001	173.0250
002	447.6125	002	173.0375
003	447.6250	003	173.0500
004	447.6375	004	173.0625
005	447.6500	005	173.0750
006	447.6625	006	173.0875
007	447.6750	007	173.1000
008	447.6875	008	173.1125
009	447.7800	009	173.1250
010	447.7125	010	173.1375
011	447.7250	011	173.1500
012	447.7375	012	173.1625
013	447.7500	013	173.1750
014	447.7625	014	173.1875
015	447.7750	015	173.2000
016	447.7875	016	173.2125
017	447.8000	017	173.2250
018	447.8125	018	173.2375
019	447.8250	019	173.2500
020	447.8375	020	173.2625
021	447.8500	021	173.2750
022	447.8625	022	173.6250
023	447.8750	023	173.6375
024	447.8875	024	173.6500
025	447.9000	025	173.5625
026	447.9125	026	173.6750
027	447.9250	027	173.6875
028	447.9375	028	173.7000
029	447.9500	029	173.7125
030	447.9625	030	173.250
031	447.9750	031	173.7375
032	447.9875	032	173.7500
033	-	033	173.7625
034	-	034	173.7750
035	-	035	173.7875

Calculation : Mhz = 447.600 + (N-1) x 0.0125, 01 ≤ N ≤ 32

Calculation : Mhz = 173.025 + (N-1) x 0.0125, 01 ≤ N ≤ 21

Calculation : Mhz = 173.350 + (N-1) x 0.0125, 22 ≤ N ≤ 35

## APPENDIX III : OPTIONAL ACCESSORIES

---



**RAIN/DUST COVER**



**TX HOOK**



**MAGNET ANTENNA**



**Rx Fixing Plate or Bracket**



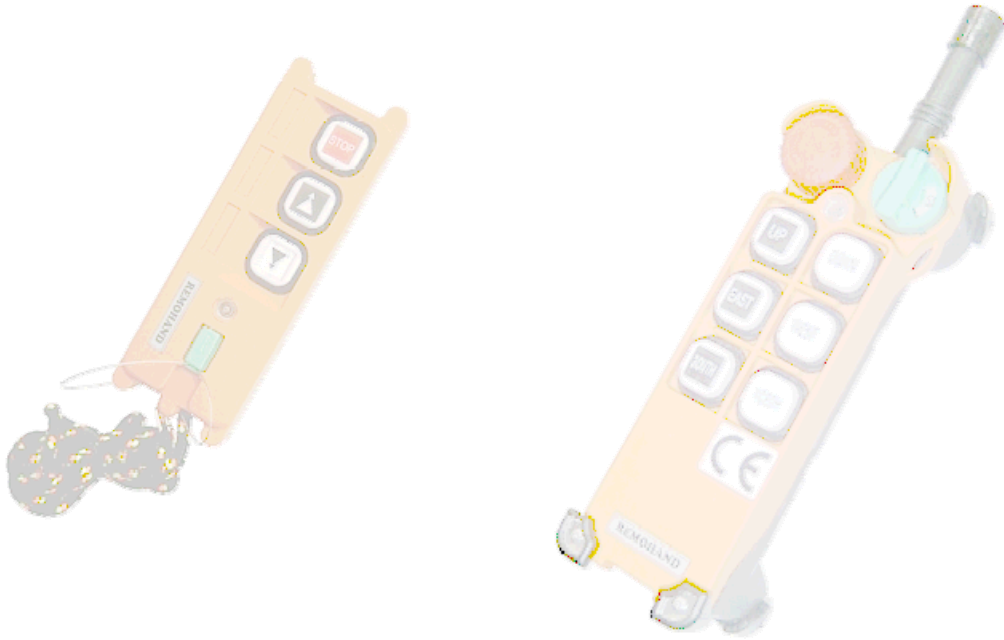
**Copier**



**PC Gender & Software**



# MEMO



**J  
E  
I  
C  
O**



ph. : +82 51 818 7727

fax : +82 51 804 2150

e-mail : [jeicorp@kita.net](mailto:jeicorp@kita.net)

web. : [JEICO.com](http://JEICO.com)

37-20, Seojeon Ro, Jingu, Busan 614-832, Korea

AGENT



**JEICO®** is the name of the remote controlling system in industries